

The Acer logo is displayed in a bold, italicized, lowercase sans-serif font. It is centered horizontally within a white rectangular box that is positioned in the upper left quadrant of the page. The background of the entire page is a repeating pattern of light gray lines forming a complex, interlocking geometric pattern of hexagons and triangles.

acer

USER MANUAL

WASHING MACHINES

CONTENT

01. SAFETY INFORMATION	02
02. PRODUCT FEATURES	08
03. CONTROL PANEL DESCRIPTION	11
04. PROGRAM DESCRIPTION - 7.0 Kg & 7.5 Kg	13
05. CONTROL PANEL DESCRIPTION	14
06. PROGRAM DESCRIPTION - 8.0 Kg	15
07. INSTALLATION	16
08. WASHING	17
09. CARE AND MAINTENANCE	19
10. ERROR CODE	20
11. TROUBLESHOOTING	21
12. E-WASTE MANAGEMENT	22

SAFETY INFORMATION

Congratulations on your new Acer washing machine.

This manual contains important information on the installation, use and care of your appliance. Please take some time to read this manual to take full advantage of your washing machine's benefits and features.

What you need to know about the safety instructions

Please read this manual thoroughly to ensure that you know how to safely and efficiently operate the extensive features and functions of your new appliance. Please store the manual in a safe location close to the appliance for future reference. Use this appliance only for its intended purpose as described in this instruction manual.

Warnings and Important Safety Instructions in this manual do not cover all possible conditions and situations that may occur. It is your responsibility to use caution and care when installing, maintaining and operating your washing machine.

Because the following operating instructions cover various models, the characteristics of your washing machine may differ slightly from those described in this manual and not all warning signs may be applicable.

If you have any questions or concerns, contact our service team-

**www.acerappliances.in/support
support@acerappliances.in
+91-7669610805**

SAFETY INFORMATION

WARNING

To reduce the risk of fire, electric shock, or injury to persons when using your appliance, follow basic precautions, including the following:

1. This appliance is not intended for use by persons (including children) with reduced physical, sensory or mental capabilities, or lack of experience and knowledge, unless they have been given supervision or instruction concerning use of the appliance by a person responsible for their safety.
2. Children should be supervised to ensure that they do not play with the appliance.
3. If the supply cord is damaged, it must be replaced by the manufacturer, its service agent, or similarly qualified persons in order to avoid a hazard.
4. The new hose-sets supplied with the appliance are to be used and that old hose-sets should not be reused.
5. **CAUTION:** In order to avoid a hazard due to inadvertent resetting of the thermal cut-out, this appliance must not be supplied through an external switching device, such as a timer, or connected to a circuit that is regularly switched on and off by the utility.
6. **CAUTION:** Do not use the water to exceed 50 °C when using the hot water in your washing machine. Plastic parts may be deformed or damaged, and this may result in electric shock or fire.
7. This appliance is intended to be used in household only and it is not intended to be used for commercial or Industrial purpose.

SAFETY INFORMATION

Critical installation warnings

1. The installation of this appliance must be performed by a qualified technician or service company assigned/appointed by Indkal Technologies pvt ltd.
-Failure to do so may result in electric shock, fire, an explosion, problems with the product. or injury.
2. Plug the power cord into a wall socket that meets local electrical specifications. Use the socket for this appliance only, and do not use an extension cord.
-Sharing a wall socket with other appliances using a power strip or extending the power cord may result in electric shock or fire.
-Ensure that the power voltage, frequency, and current are the same as those of the product specifications. Failure to do so may result in electric shock or fire. Plug the power plug into the wall socket firmly.
3. Remove all foreign substances such as dust or water from the power plug terminals and contact points using a dry cloth on a regular basis.
-Unplug the power plug and clean it with a dry cloth.
-Failure to do so may result in electric shock or fire.
-Plug the power plug into the wall socket so that the cord is running towards the floor.
-If you plug the power plug into the socket in the opposite direction, the electric wires within the cable may be damaged and this may result in electric shock or fire.
4. This appliance must be properly grounded to Neutral Earthing. Do not ground the appliance to a gas pipe, plastic water pipe, or telephone line.
-This may result in electric shock, fire, an explosion, or problems with the product.
-Never plug the power cord into a socket that is not grounded correctly and make sure that it is in accordance with local and national regulations.
5. Do not install this appliance near a heater or any inflammable material.
6. Do not install this appliance in a humid, oily or dusty location, or in a location exposed to direct sunlight or water (rain drops).
7. Do not install this appliance in a location exposed to low temperatures.
-Frost may cause the tubes to burst.
8. Do not use a damaged power plug, damaged power cord, or loose wall socket.
-This may result in electric shock or fire.
9. Do not pull or excessively bend the power cord.
10. Do not twist or tie the power cord.
11. Do not hook the power cord over a metal object, place a heavy object on the power cord, insert the power cord between objects, or push the power cord into the space behind the appliance.
-This may result in electric shock or fire

SAFETY INFORMATION

Installation Cautions

This appliance should be positioned so that the power plug, the water supply taps, and the drain pipes are accessible.

-Failure to do so may result in electric shock or fire due to electric leakage.

Electrical supply and Grounding

-Use an individual branch circuit specific to the washing machine. Do NOT use an extension cord.

-Use only the power cord that comes with the washing machine. Do NOT connect the ground wire to plastic plumbing, gas lines, or hot water pipes.

Levelling

-To prevent tumbling or noise, install the washing machine on a solid, flat floor without a platform or bricks. Keep the washing machine at 10 cm from each adjacent wall.

Water supply

-Make sure water taps are easily accessible.

-Turn off the taps when the washing machine is not in use.

-Check for any leaks at the water hose fittings on a regular basis.

Drain

-Make sure the drain hose is not clogged.

-Make sure the drain hose is properly connected to the machine.

-The drain hose outlet should be properly place near the drainage point.

SAFETY INFORMATION

Usage Cautions

1. If the appliance is flooded, turn off the water & power supplies immediately and contact your nearest service centre.
 - Do not touch the power plug with wet hands.
 - Failure to do so may result in electric shock.
2. If the appliance generates a strange noise, a burning smell, or smoke, unplug the power plug immediately and contact Customer Service.
 - Failure to do so may result in electric shock or fire.
3. In the event of a gas leak (such as propane gas, LP gas, etc.), ventilate immediately without touching the power plug. Do not touch the appliance or power cord.
 - Do not use a ventilating fan.
 - Any spark may result in an explosion or fire.
4. Do not let children play in or on the washing machine. In addition, when disposing of the appliance, remove the lid.
5. Do not wash items contaminated with gasoline, kerosene, benzene, paint thinner, alcohol or other inflammable or explosive substances.
 - This may result in electric shock, fire, or an explosion.
6. Do not insert your hand or a metal object under the washing machine while an operation is in progress.
 - This may result in injury.
7. Do not attempt to repair, disassemble, or modify the appliance yourself.
8. When the appliance needs to be repaired or reinstalled, contact Customer Service.
 - Failure to do so may result in electric shock, fire, problems with the product, or injury. In this case, the product will not be covered by the standard warranty provided and no responsibility can be attributed to Indkal Technologies Pvt Ltd or Acer Inc. for malfunctions or damages resulting from doing it.
9. Unplug the power plug when the appliance is not being used for long periods of time or during a thunder or lightning storm.
 - Failure to do so may result in electric shock or fire.
10. Do not put your hand into the spinning tub during the spin cycle.
 - This may result in injury. If the tub does not stop spinning within 15 seconds after you open the lid, contact Customer Service.

SAFETY INFORMATION

Correct Disposal of This Product

This marking on the product, accessories or literature indicates that the product and its electronic accessories should not be disposed of with other household waste at the end of their working life. To prevent possible harm to the environment or human health from uncontrolled waste disposal, please separate these items from other types of waste and recycle them responsibly to promote the sustainable reuse of material resources.

Household users should contact either the retailer where they purchased this product, or their local government office, for details of where and how they can take these items for environmentally safe recycling.

Commercial users should contact their supplier and check the terms and conditions of the purchase contract. This product and its electronic accessories should not be mixed with other commercial wastes for disposal.

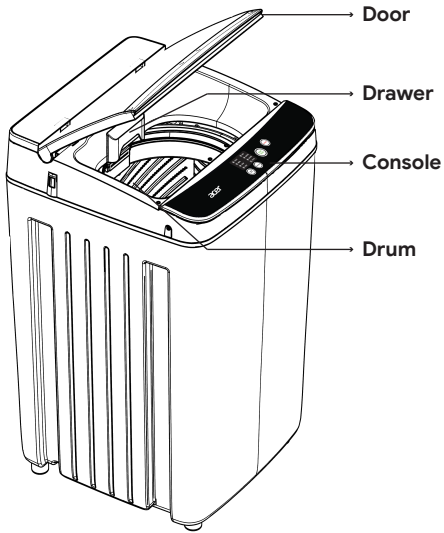
For more information on safe disposal and recycling, visit our website **www.acerappliances.in**

or contact via-

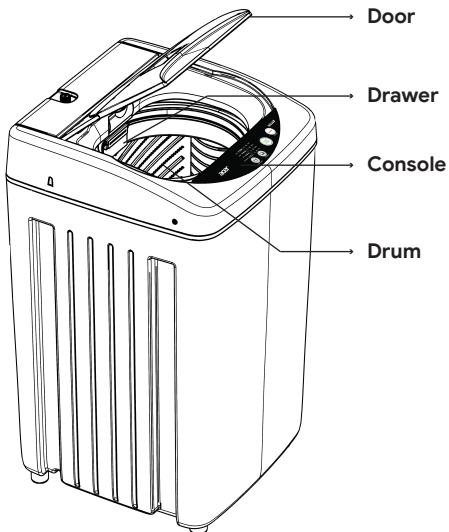
support@acerappliances.in | +91-7669610805



PRODUCT FEATURES



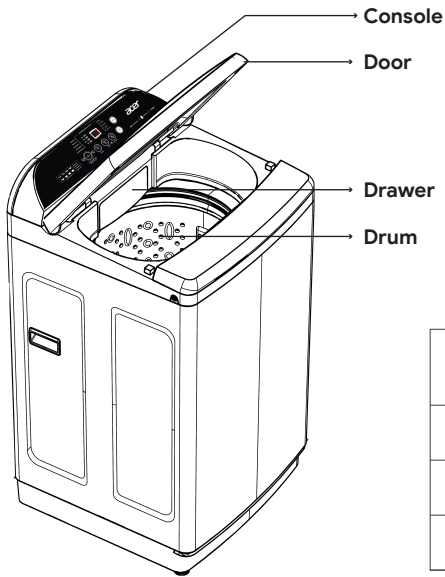
Model No. AR65FATLP0GT	
Name	Halo Wash - 6.5 Kg
Power Supply	360 W
Capacity	6.5 Kg



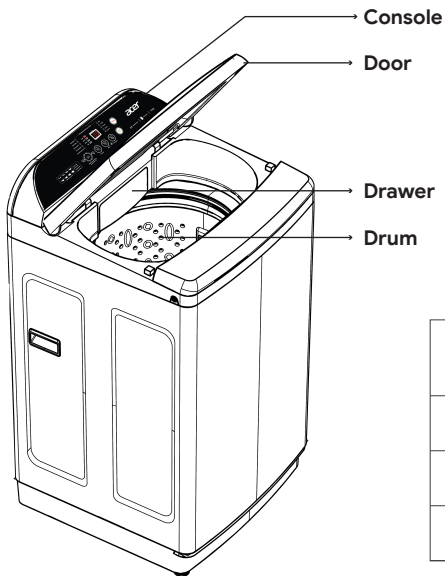
Model No. AR65FATLP0EC	
Name	Quad Wash - 6.5 Kg
Power Supply	360 W
Capacity	6.5 Kg

*The appearance and specifications may be varied without notice to better the unit's quality

PRODUCT FEATURES

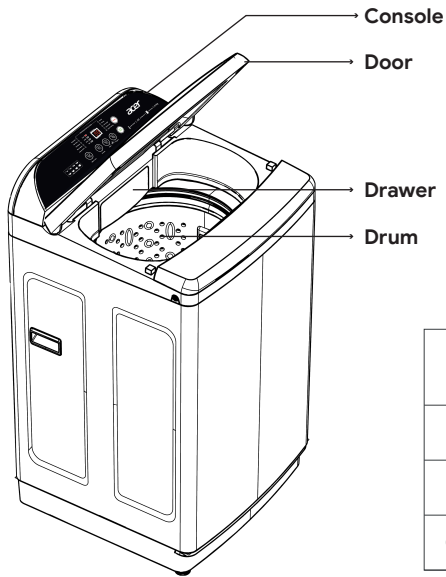


Model No. AR70FATLP1EC	
Name	Quad Wash - 7.0 Kg
Power Supply	420 W
Capacity	7.0 Kg



Model No. AR75FATLP1GT	
Name	Halo Wash - 7.5 Kg
Power Supply	450 W
Capacity	7.5 Kg

PRODUCT FEATURES



Model No. AR80FATLP1GT	
Name	Halo Wash - 8.0 Kg
Power Supply	1450 W
Capacity	8.0 Kg

In-Box Content

Water Inlet Hose – 1 | 2*

Water Drain Hose – 1

Rat Mesh – 1

User Manual – 1

Warranty Card – 1

*2 Water Inlet Hose on for Models - **AR70FATLP1EC | AR75FATLP1GT**

CONTROL PANEL DESCRIPTION

Control Panel - Halo Wash 6.5 Kg | AR65FATLPOGT



Control Panel Button Description:

- 01 - Power ON / OFF
- 02 - Program Start / Pause
- 03 - Program Selection
- 04 - Water Level Selection



Control Panel - Quad Wash 6.5 Kg | AR65FATLPOEC

CONTROL PANEL DESCRIPTION

Control Panel - Quad Wash 7.0 Kg | AR70FATLP1EC



Control Panel - Halo Wash 7.5 Kg | AR75FATLP1GT



Control Panel Button Description:

01 - Power ON / OFF

02 - Program Start / Pause

03 - Program Key: Select one out of the 10 pre-set Smart Wash programs. Display code (1 - 10) according to the "Program Display Code" on the panel

04 - Delay Key: Press the Delay key to set how many hours later the operation will start (2 to 24 hours)

05 - Process Key: Press the Process Key continuously to select a single washing process or a combination of processes

06 - Water Level Key: Press the Water Level Key continuously to select the washing water volume.

Special Functions:

-Press and hold the Program Key and the Delay Key together to activate the Child Lock

-Press and hold the Water Level Key to select the temperature of the incoming washing water

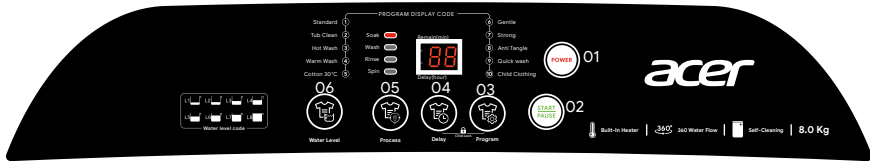
PROGRAM DESCRIPTION

Wash Program Description

- 1.**Standard:** Auto program selection based on weight - AiSense
- 2.**Tub Clean:** Program for cleaning of the drum & impeller
- 3.**Cotton 30°C:** For heavy soiled cotton/linen fabrics
- 4.**Quick Wash:** Suitable for small laundry batch with light soiling
- 5.**Child Clothing:** Suitable for Child / Delicate clothes
- 6.**Mini:** Suitable for mixed washing of cloths of various material
- 7.**Air Dry:** Suitable for Spin Drying the clothes at high spin RPM
- 8.**Strong:** Suitable for washing strong fabrics like Jeans
- 9.**Gentle:** Suitable for delicate less soiled clothes
- 10.**Normal:** Suitable for washing light fabrics / woollens etc

CONTROL PANEL DESCRIPTION

Control Panel - Halo Wash 8.0 Kg | AR80FATLP1GT



Control Panel Button Description:

01 - Power ON / OFF

02 - Program Start / Pause

03 - Program Key: Select one out of the 10 pre-set Smart Wash programs. Display code (1 - 10) according to the "Program Display Code" on the panel

04 - Delay Key: Press the Delay key to set how many hours later the operation will start (2 to 24 hours)

05 - Process Key: Press the Process key continuously to select a single washing process or a combination of processes

06 - Water Level Key: Press the Water Level Key continuously to select the washing water volume.

Special Functions:

-Press and hold the Program Key and the Delay Key together to activate the Child Lock

PROGRAM DESCRIPTION

Wash Program Description

- 1.**Standard:** Auto program selection based on weight - AiSense
- 2.**Tub Clean:** Program for cleaning of the drum & impeller
- 3.**Hot Wash:** Hot water wash kills harmful germs and removes heavy stains
- 4.**Warm Wash:** Suitable for small laundry batch with normal soiling
- 5.**Cotton 30°C:** For heavy soiled cotton/linen fabrics
- 6.**Gentle:** Suitable for mixed washing of clothes of various material with light soil
- 7.**Strong:** Suitable for large size laundry with heavy soil
- 8.**Anti-Tangle:** Suitable for wrinkle free washing
- 9.**Quick Wash:** Suitable for small laundry batch with light soiled
- 10.**Child Clothing:** Suitable for washing light fabrics / woollens / child clothes etc

INSTALLATION

Installation

CAUTION: It is always advised to contact Brand's customer service for Installation and Uninstallation of the Washing Machine.

Before installing the machine, the location of installation should have the following qualities:

- Rigid, dry and levelled surface
- Avoid direct sun light
- Sufficient ventilation
- Ambient temperature should be above 0°C
- There should not be an active / direct heat source close to the machine

Levelling the Washing Machine

- 1.Check if the legs are properly attached to the main body. If not turn them to their original position to tighten the nut
- 2.After placing the machine on the surface check for proper alignment using spirit level
- 3.Loosen the lock nut and turn the legs unit it is closely in contact with the floor

Installing the Drain Hose

- 1.The drain hose should be properly connected to the outlet of the machine and clamped tightly
- 2.The drain hose outlet should not be immersed in water
- 3.The drain hose should be fully extended and not coiled for proper flow of the drain water

Installing the Inlet Hose

- 1.The inlet hose should be properly connected to the tap
- 2.The pressure of supply water should be between 0.03MPa to 1MPa
- 3.Do not over tighten the threat while connecting the inlet pipe

WASHING

Start Washing

1. Press the Power Key to switch ON the machine
2. Select the most appropriate Wash Program as per your laundry requirement
3. Select the Wash Process configuration you want for the batch of laundry
4. Press and select the Water Level as per your laundry load
5. For caution, press Program & Delay Keys together to activate Child Lock
6. Press the Start Key to start the washing program

WASHING

Operating your Washing Machine

Preparing machine for washing

1. Before using the machine for the first time, let it run on quick wash program without cloths

2. Before operating the machine make sure

-The machine is plugged in

-The machine is connected to ground (Neutral Earthing)

-The water supply tap is open

-The laundry is uniformly placed in the drum. Failing to do so will cause the drum to loose balance during spin and cause damage to the machine

-Before loading cloths in the drum make sure to perform the following exercise

-Check for wash instruction labels on the clothes

-Empty all pockets

-Separate delicate cloths from heavy cloths

-Separate cloths with different colours and textures (its is good habit to wash coloured cloths separately)

3. Add detergent & softner to the tray. Points to note before adding detergent

-Use manufacturer spcified detergent only

-Use detergent specific for your type of Washing Machine

-Do not use too much detergent as it may lead to excessive foam production and may damage the machine

-When using powdered detergent, which is poorly soluble, dissolve it in warm water before using

4. Using fabric softener, put the softener in the softener inlet according to the water level indication

5. When using Powdered bleach, put the bleach in directly during water supply after start

-If using Liquid bleach, first dilute the bleach in same amount of water. After diluting, put the bleach in

CARE AND MAINTENANCE

Cleaning Washing Machine

1. Once the washing machine operations are finished, unplug the power cord and turn off the running water
2. Wipe the machine with dry soft cloth
3. Use neutral detergent to clean extra dirt
4. Do not use volatile cleaners - gasoline or alcohol
5. Use manufacturer prescribed Descaler to descale the inner tubes of precipitate settled due to heavy water

Cleaning Magic Filter

1. Pull out the Magic Filter
2. Clean the filter bag of all the dirt and lint
3. Assemble the filter bag properly and cover, and place it back to its respective location

Cleaning Inlet Valve Filter

1. Remove the inlet hose from the inlet valve
2. Pull out the inlet valve filter
3. Clean the inlet valve filter using a small brush
4. Place the inlet valve filter back in its place
5. Place the inlet hose back and close it properly to avoid leakage

ERROR CODES

E0 | Programmer Chip self-test abnormal

Contact the Authorized customer care

E1 | Water Inlet timeout

Check if the inlet water pressure is above 0.03MPa

E2 | Drain Timeout

Check if the drain pipe is properly inserted in the drain port and if there is no blockage

E3 | Lid Open while spin function

Close the lid

E4 | Imbalance while spinning

Open the lid and rearrange the clothes evenly

E5 | Lid open while child lock is active

Deactivate Child lock by pressing Program & Delay button together for 3 seconds

E6 | Water overflow alert

Automatic drainage to 8 stages of water level

CL | Child Lock Activate

Press Program & Delay buttons simultaneously to exit child lock mode

F3 | Over-Zero Circuit Failure

Contact the Authorized Customer Care

F4 | Temperature Circuit/Sensor Failure

Contact the Authorized Customer Care

F5 | Circuit Failure

Contact the Authorized Customer Care

F8 | Water Level Circuit/Sensor Failure

Contact the Authorized Customer Care

TROUBLESHOOTING

1.No Water Inlet

- Power Failure
- No water or low water pressure
- Improper installation of the inlet pipe
- Inlet filter is blocked
- Inlet valve coil is damaged
- Check if the Start key is pressed

2.No Wash

- Power Failure
- Supply voltage is too low
- Water level is not at the desired level

3.Improper Drainage

- The drainage pipe is not placed properly
- The extension drain is longer than 3m
- End of the drain pipe is submerged in water
- The rubber seal inside the drain valve seat is blocked by dirt

4.Abnormal Drying

- The door cover is not closed properly
- Clothes are shifted to one side of the tub
- Uneven leveling of the machine
- Motor belt too loose

E-WASTE MANAGEMENT

Environmental compliances:

This product falls under the E-WASTE (MANAGEMENT) RULES, 2016 all amendments of Ministry of Environment, Forests & Climate Change.

For more information under E-Waste (Management) Rules, 2016, for disposal of E-waste, please call our helpline no.

91-76696 10805 or visit **www.acerappliances.in/ewaste**

Do's and Don'ts for disposal of the product:



1) Do's:

- a. Always drop off your used electrical/electronic products, batteries, cables, adapters, and packaging materials after the end of their life at the nearest authorized collection point/centre.
- b. Separate the packaging material according to their respective waste disposal options and sorting for recycling.
- c. Always call Authorized E-waste Recyclers to Dispose off products that have reached end-of life.

2) Don'ts:

- a. Never dump E-waste in Garbage bins or Municipal solid waste streams.
- b. Do not dispose of your product as unsorted municipal waste.
- c. Do not throw or dispose of used, damaged or leaking batteries & products into household waste.

acer

www.acerappliances.in | support@acerappliances.in | +91-7669610805

The Acer trademarks are licensed to Indkal Technologies Private Limited
by Acer Incorporated.